

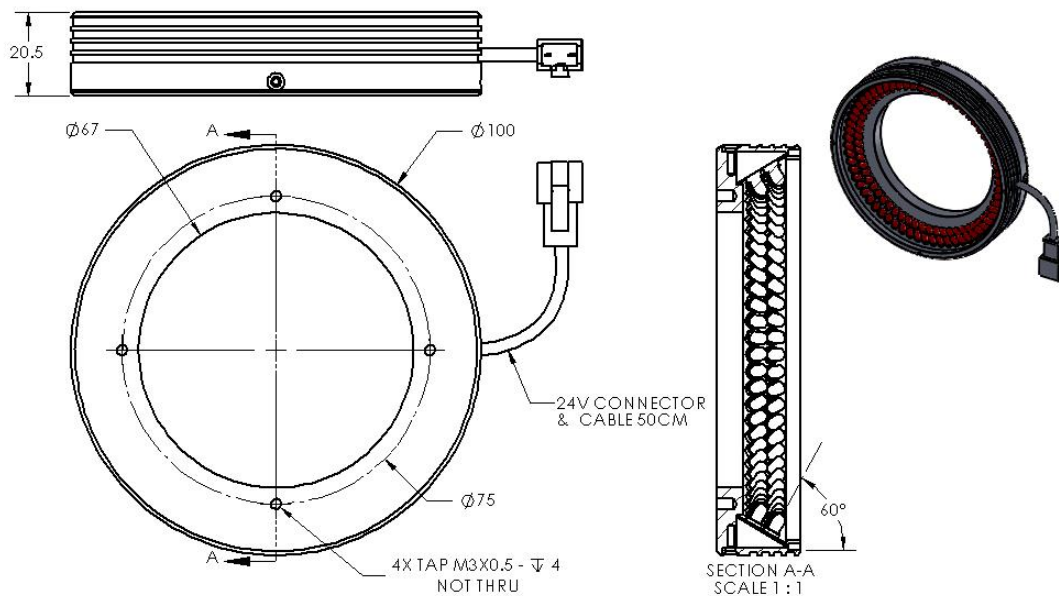


OPTO ENGINEERING

ILLUMINATOR DATA

LTZZO100-60-2-W-24V

Lighting Dimension



Mechanical Information

Casing Material	Aluminium
Storage Temperature Range	0 - 45°C
Storage Humidity Range	20 - 85%
Weight	150g
Length / Outer Diameter	100mm
Width / Inner Diameter	67mm
Thickness / Height	20.5mm



OPTO ENGINEERING

ILLUMINATOR DATA

LTZZO100-60-2-W-24V

Lighting Information																							
Part Number	LTZZO100-60-2-W-24V																						
LED Color	WHITE																						
Wavelength	REFER TO CHROMACITY TABLE																						
Working Distance	19 mm	39 mm	59 mm																				
Intensity (±15%)	103400lx	73600lx	27200lx																				
Illumination (number of row)	2																						
Illumination Active Area	Active Length / Outer Dia.	93 mm																					
	Active Width / Inner Dia.	67 mm																					
Emission angle	0																						
Eye Safety Class (IEC62471)	EXEMPT																						
Chromaticity Table <i>For White colour only</i>	<table border="1"> <tr> <td>X</td> <td>0.296</td> <td>0.287</td> <td>0.307</td> <td>0.311</td> </tr> <tr> <td>Y</td> <td>0.276</td> <td>0.295</td> <td>0.315</td> <td>0.294</td> </tr> </table>	X	0.296	0.287	0.307	0.311	Y	0.276	0.295	0.315	0.294	<table border="1"> <tr> <td>X</td> <td>0.311</td> <td>0.307</td> <td>0.33</td> <td>0.33</td> </tr> <tr> <td>Y</td> <td>0.294</td> <td>0.315</td> <td>0.339</td> <td>0.318</td> </tr> </table>	X	0.311	0.307	0.33	0.33	Y	0.294	0.315	0.339	0.318	
X	0.296	0.287	0.307	0.311																			
Y	0.276	0.295	0.315	0.294																			
X	0.311	0.307	0.33	0.33																			
Y	0.294	0.315	0.339	0.318																			

Electrical Information	
Rated Constant Voltage	24V±2%
Rated Constant Current	270mA
Power Consumption	6.48W
Casing temperature, After 60 minutes operation	TBA

Strobe Mode Specification	
*Normal Strobe Voltage	24 V
*Normal Strobe Current	210mA
Overdrive Voltage Range	Min: 36V Max: 48V
Overdrive Current Range	Min: 1.8 A Max: 1.8 A
Recommended Overdrive Voltage	36V
**Max. Trigger Pulse Duration	10 msec
**Max. Duty Cycle	10%

*Normal strobe means the lighting is operated using the rated power. Overdrive means the power supplied to the lighting exceeded the rated power.

**Overdrive condition must not exceed the max. trigger pulse duration and max. duty cycle.

ILLUMINATOR DATA

LTZZ0100-60-2-W-24V

Connection Information			
Connector Type (Default)	JST SMR-03V		
Cable Length	50 cm		
Pin Configuration 	Pin	Signal	Cable Colour
	1	LED +	Red
	2	N.C	-
	3	LED -	White
			

Additional Information	
Additional Cooling Method	Attached to machine part for better heat dissipation
Intensity Controller Selection	SD, ST, ANG, LC, SDA, SDP series
CE Conformity	YES
RoHS Compliance	YES

Application	
Illumination Type	Direct Illumination
Application Use	Edge Detection, Scratched On Metal or Glossy Surface



OPTO ENGINEERING

ILLUMINATOR DATA

LTZZ0100-60-2-W-24V

Lighting Pattern				
Working Distance	39mm			
Display and Image				
Data Results	Horizontal	Meas.(mm)	Vertical	Meas.(mm)
	90%	20	90%	21
	80%	28	80%	30
	70%	34	70%	35
	60%	40	60%	41
	50%	45	50%	46
	40%	51	40%	51
	30%	59	30%	60
	20%	70	20%	72
	10%	93	10%	98
Max	Meas.(cd/m2)			
	18863.756			